



Offer for AVN 2000-2500 Slurry Machine for permalock pipes 2500 mm (98 inches). The diameter can be extended at the request of the customer.

The TBM is in stock. Please, contact our managers for more information

Producer: E-Berk

TECHNICAL SPECIFICATIONS

| | |
|---------------------------|---|
| Model | EM2301 ASYA MTBM Ø2.40m |
| Manufacturer | E-BERK TUNNEL AND FOUNDATION TECHNOLOGIES |
| Serial Number | EM2301 |
| Year of Manufacture | 2018 |
| TBM Type | Slurry Type, EPB, Micro TBM |
| Pipe Inner Diameter | 2000 mm |
| Pipe Outer Diameter | 2395 mm |
| Pipe Length | 3000 mm |
| Cutter Head | |
| Excavation Diameter | Ø2455 mm |
| Type of Disc Cutter | 12" Double |
| Number of Discs | 7 pcs |
| Number of Buckets | 8 pcs |
| Number of Knives | 28 pcs |
| Cutter Head Type | Mixed Face |
| Opening Ratio | ~%23 – %26 |
| Cutter Head Face Plating | Hardox Coating |
| Cutter Head Girth Plating | Chromium Carbide |
| Wear Protection | Wear resistant welding |

Cutter Head Drive

| | |
|-----------------------------------|------------------------------------|
| Type | Hydraulic |
| Power | 400 kW |
| Cutter Head Speed Control | Proportional |
| Cutter Head Direction of Rotation | CW / CCW |
| Cutter Head Revolutions per min | 0 – 2,9rpm – 4,1 rpm |
| Maximum Cutter Head Torque | 939 kNm @2,9 rpm / 638 kNm @4,1rpm |
| Motor Drives | Soft Start |

Steering

| | |
|---|---------|
| Maximum Thrust Force per Cylinder | 5173 kN |
| Number of Cylinder | 4 pcs |
| Stroke | 100 mm |
| Maximum Pressure | 350 bar |
| Number of Cylinder with Stroke Measurements | 4 pcs |
| Lubrication | 2 point |

Slurry System

| | |
|---------------------|-------|
| Feed Water Line | DN200 |
| Slurry Line | DN200 |
| Slurry EPB Pressure | 3 Bar |

Compressor

| | |
|------------------|-------------------------|
| Power | 18.5 kW |
| Capacity | 184.3 m ³ /h |
| Working Pressure | 7.5 bar |

Covering Equipment

| | |
|----------------------------|--|
| Gas Detector System | O ₂ , CO ₂ , CO, CH ₄ |
| Methane Gas Sensor | 2 pcs |
| Carbon Dioxide Gas Sensor | 2 pcs |
| Oxygen Gas Sensor | 2 pcs |
| Carbon Monoxide Gas Sensor | 2 pcs |
| Emergency Lighting | Yes |
| Emergency Stop Button | Yes |

MTBM Communication System

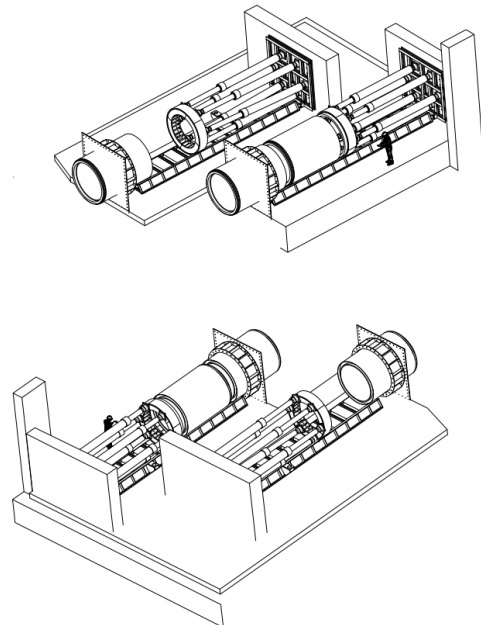
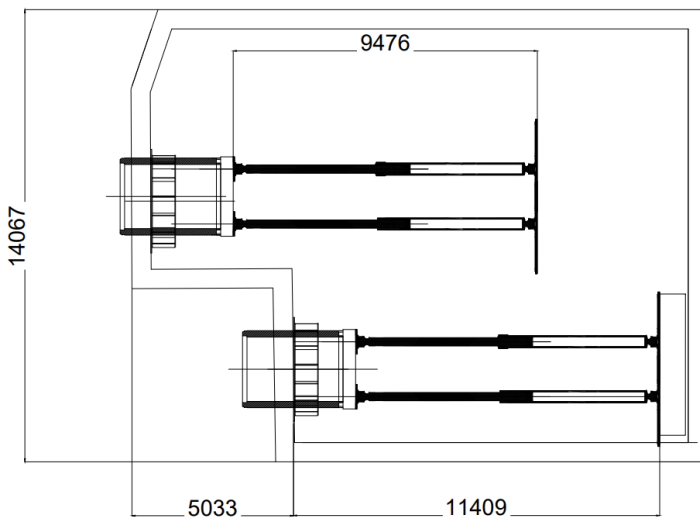
| | |
|---------------|-------|
| Phone | 1 pc |
| Camera (CCTV) | 4 pcs |

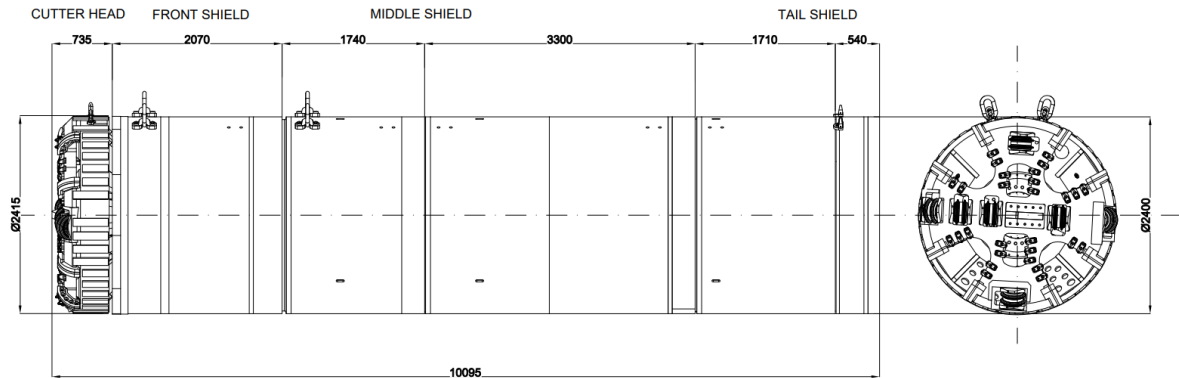
Electrical System

| | |
|------------------|-------------------|
| Control Voltage | 24 V/ 400V/ 690 V |
| Lighting | 24 V |
| Valve Voltage | 24 V |
| Frequency | 50 – 60 Hz |
| Electrical Motor | IP 65 |
| PLC | Siemens S7 |

Hydraulic System

| | |
|----------------|------------|
| Power | 55 kW |
| Tank Capacity | 5000 liter |
| Cooling System | Air |





Best regards,

Signature:

Executive Director

Vasily Anishchenko

www.smp-tunnel.com

smp@smp-tunnel.com

[+1 847 997 39 17](tel:+18479973917)

Please, do not hesitate to contact us